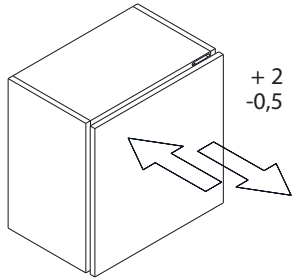
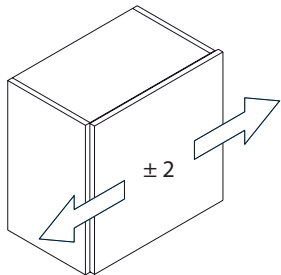
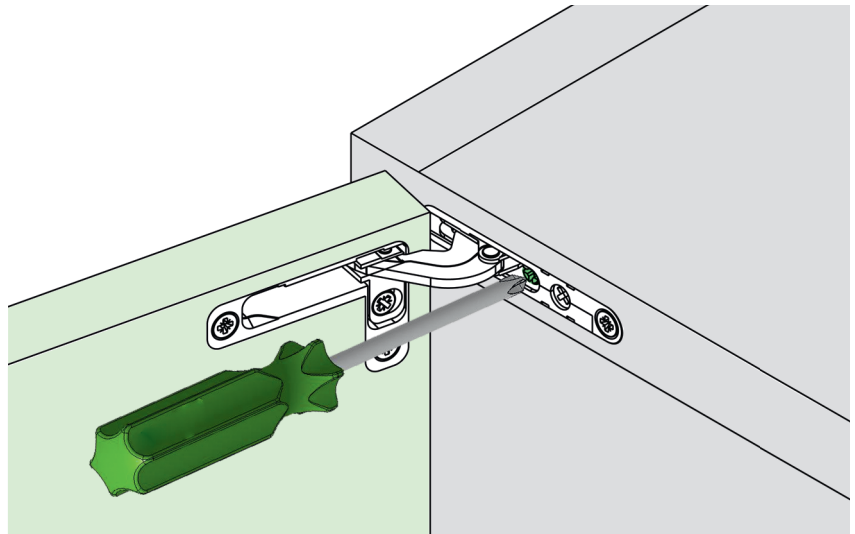


# INSTALLATION INSTRUCTION FOR CABINET HINGE "3D"

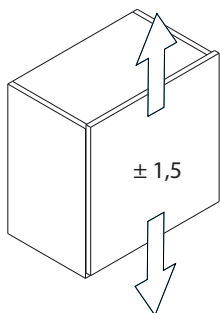
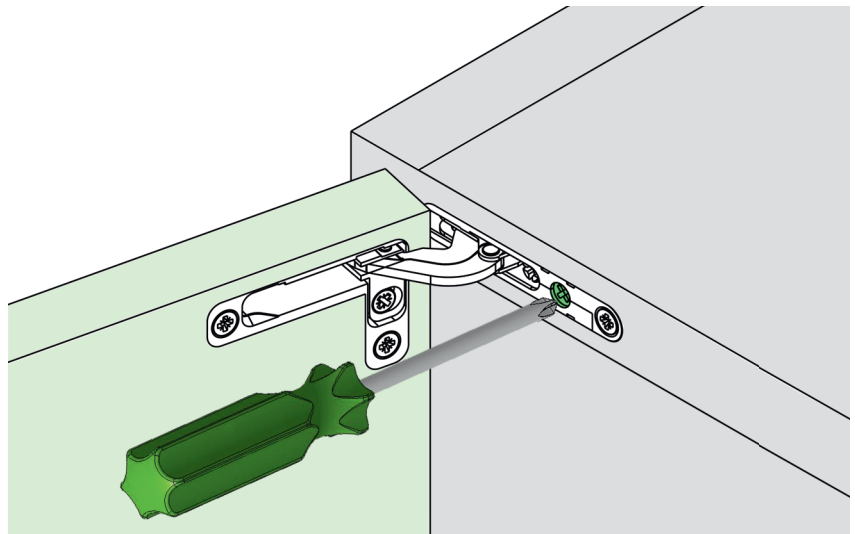
## ADJUSTMENTS



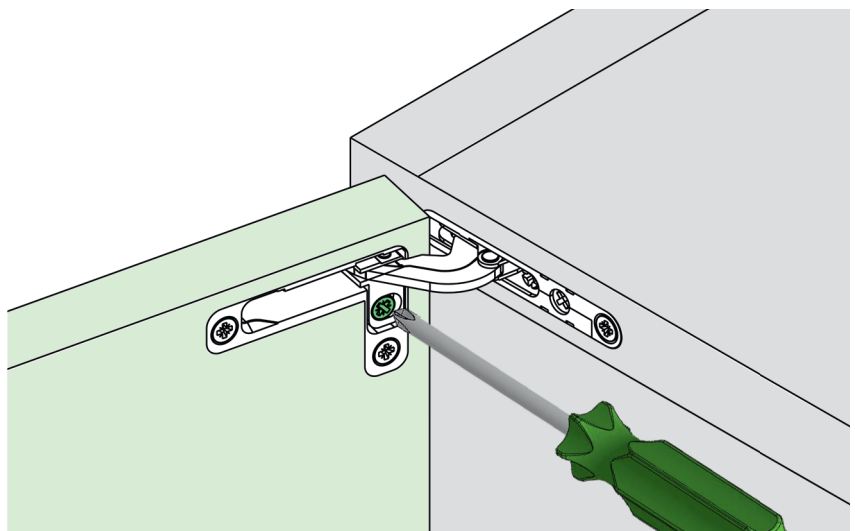
Frontal adjustment +2/- 0.5 mm



Lateral adjustment +2/-2 mm



Vertical adjustment +1.5/ -1.5 mm

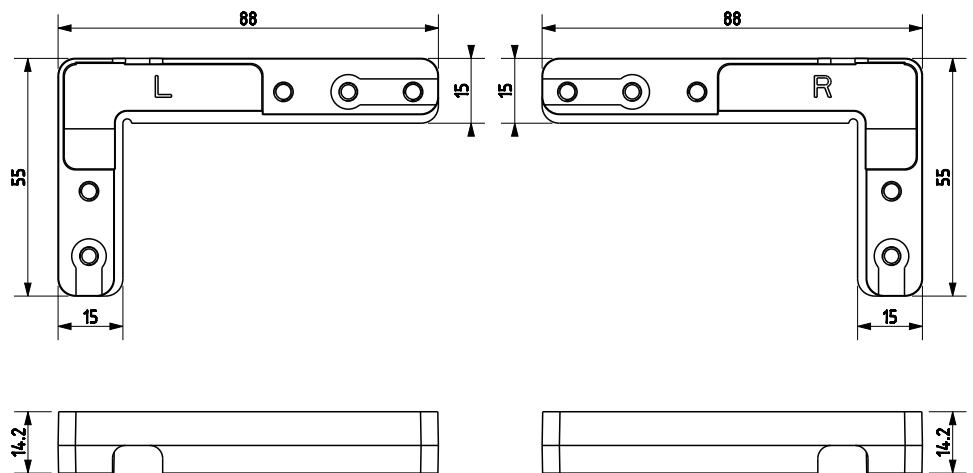


# INSTALLATION INSTRUCTION FOR CABINET HINGE "3D"



Hinge for swing doors mounted recessed into milled panels. Designed for doors from 18 to 32 mm thickness. Horizontal, vertical and frontal positions of the door are adjustable. Zamak corner brackets for aluminium profiles are available.

- 15.04.001-0 Cabinet Hinge "3D", 105 DG, Soft Close, Zamak, Black, Right
- 15.04.002-0 Cabinet Hinge "3D", 105 DG, Soft Close, Zamak, Black, Left
- 15.04.005-0 Cabinet Hinge "3D", 105 DG, Soft Close, Zamak, Silver, Right
- 15.04.006-0 Cabinet Hinge "3D", 105 DG, Soft Close, Zamak, Silver, Left



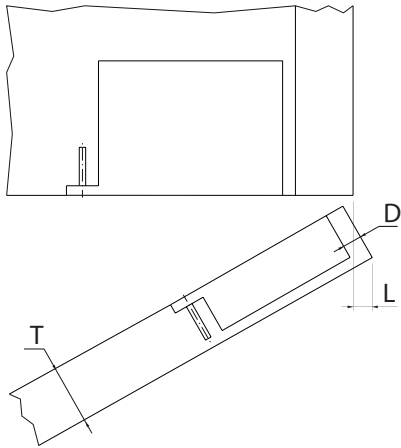
Item: 15.04.011-0

Item: 15.04.010-0

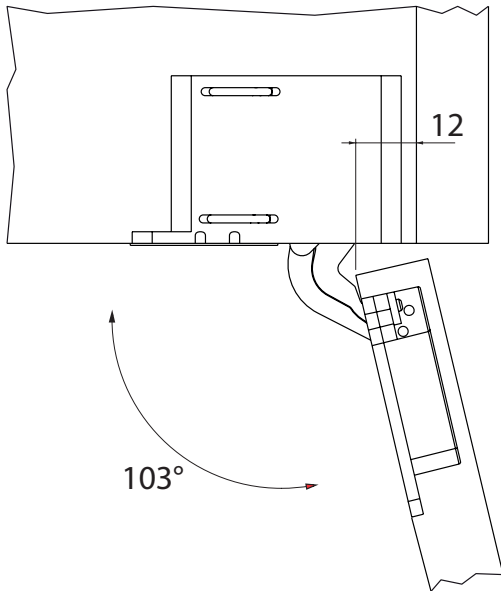
- 15.04.010-0 Corner Bracket "3D", F/Alu Frames, Right Hand, Zamak Raw
- 15.04.011-0 Corner Bracket "3D", F/Alu Frames, Left Hand, Zamak Raw

# INSTALLATION INSTRUCTION FOR CABINET HINGE "3D"

## SPACE REQUIRED FOR THE DOOR OPENING



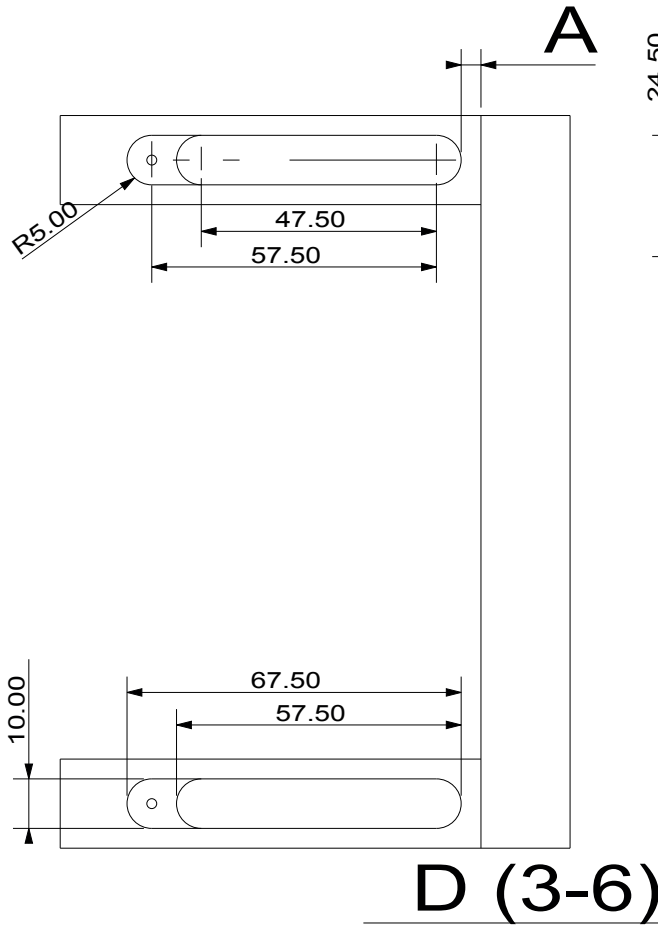
L \ D \ T	18	20	22	24	26	28	30	32
3	0.0	0.2	0.5	0.9	1.4	2.1	3.1	4.7
4	0.0	0.2	0.5	0.9	1.4	2.0	2.9	4.2
5	0.0	0.2	0.5	0.8	1.3	2.0	2.8	3.9
6	0.0	0.2	0.5	0.8	1.3	1.9	2.7	3.7



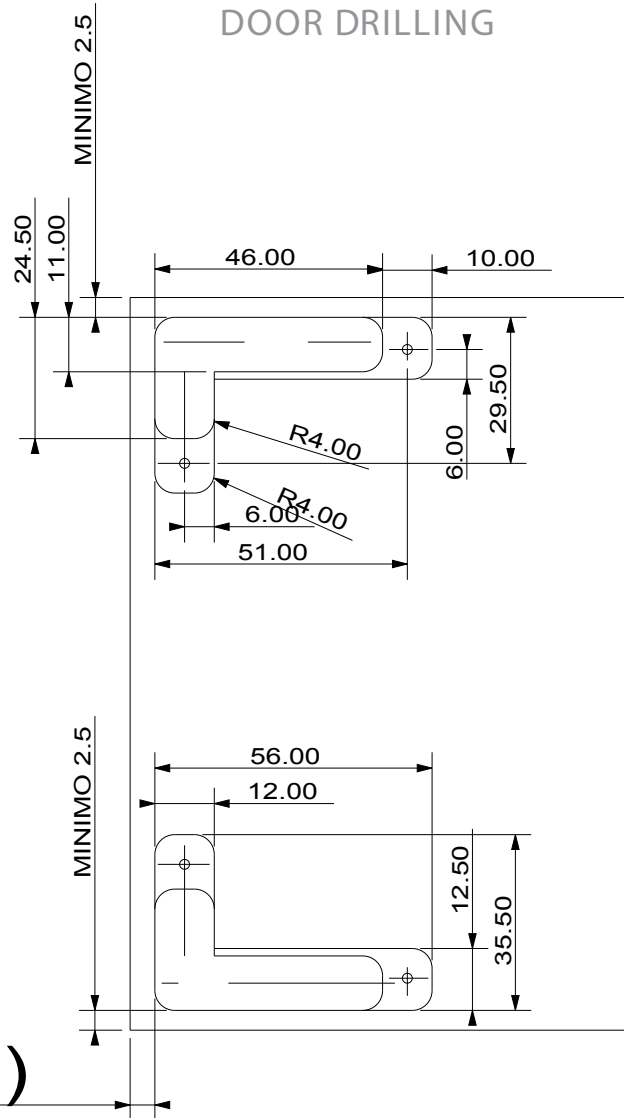
Possibility of excluding the damper function easy and simple.

# INSTALLATION INSTRUCTION FOR CABINET HINGE "3D"

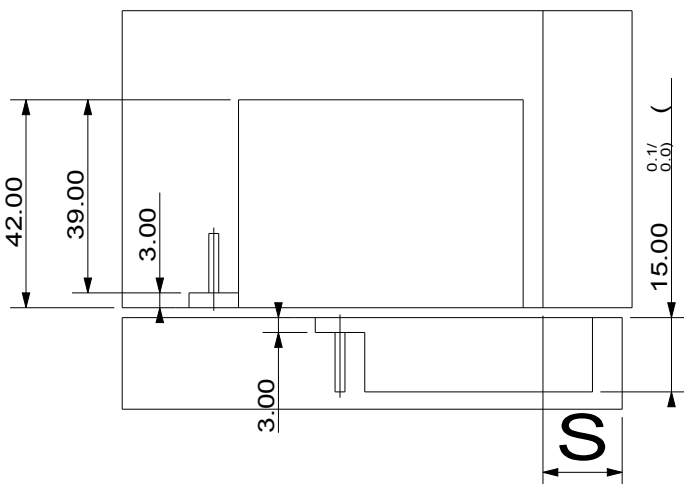
TOP & BOTTOM PANEL DRILLING



DOOR DRILLING



$$A = (17 + D) - S$$



# INSTALLATION INSTRUCTION FOR CABINET HINGE "3D"

## ALUMINIUM DOOR DRILLING

$$Y = (X - W)$$

$$W = (X - Y)$$

$$X = (W + Y)$$

